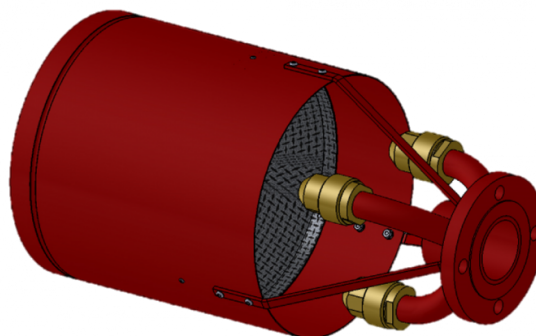




# MEDIUM EXPANSION FOAM GENERATOR / POURER



<b>1.0</b>	<b>GENERAL DATA</b>	
1.1	Make	USAFE
1.2	Model	MEFG 600, 1100, 1600
1.3	Inlet	63mm Male Inst. Adaptor (100 MM size in case of MXP 1600)
1.4	Reference Standard	--
<b>2.0</b>	<b>MATERIAL OF CONSTRUCTION</b>	
2.1	Pipework/ sheetwork	SS 304 / SS 316
2.2	Mesh assembly	SS 304 / SS 316
2.3	Nozzles	GM - IS: 318 LTB-2
2.4	Inlet Male Instantaneous	SS 304 / SS 316
2.5	Inline Inductor	ALUMINIUM / SS
<b>3.0</b>	<b>TESTING AND QUALITY CONTROL</b>	
3.1	Performance requirements	MXP 600/ 1100/ 1600 -Flow approx. 600/ 1100 / 1600 lpm at 3.5 kg/cm <sup>2</sup> pressure at Pourer Inlet, Foam expansion approx. 1:40
<b>4.0</b>	<b>OPERATIONAL/ TECHNICAL DATA</b>	
4.1	Working pressure range	5 to 10 Kg/cm <sup>2</sup>
4.2	Matching Inline Inductor	600 / 1100 / 1600 lpm at 7 kg/cm <sup>2</sup>
<b>5.0</b>	<b>FINISH</b>	
5.1	Body / Pipework	Natural shining finish / Painted
<b>6.0</b>	<b>WARRANTY</b>	
6.1	Warranty & Guarantee	12 Months from the date of supply

Manufactured by

**UNITED FIRE & SAFETY SERVICES**

Works : 884/15, GIDC Industrial Estate, Makarpura, Baroda - 390 010.

Phone : 76000 17798 / 98250 17798 • E-mail : usafe.fire@gmail.com